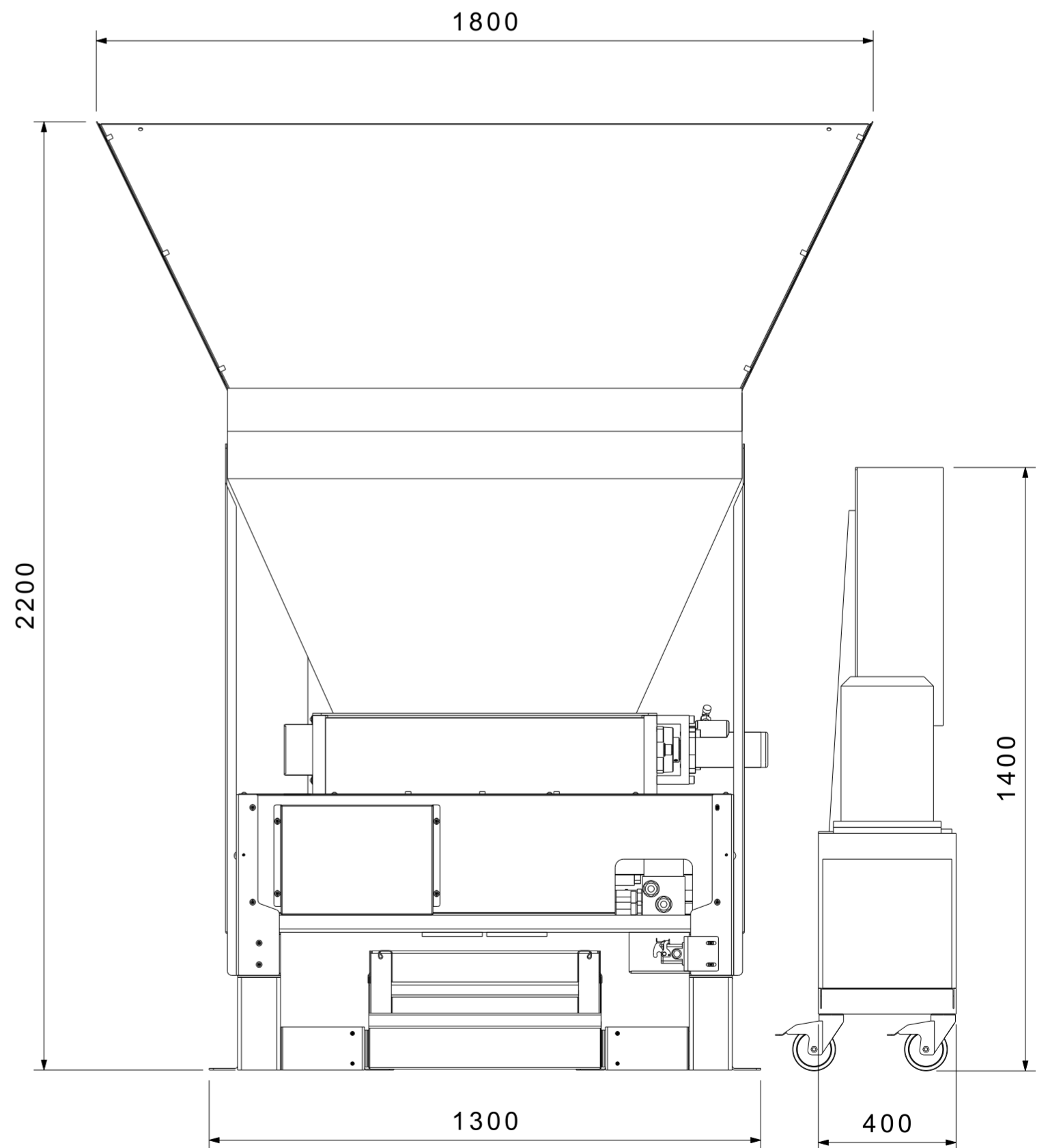
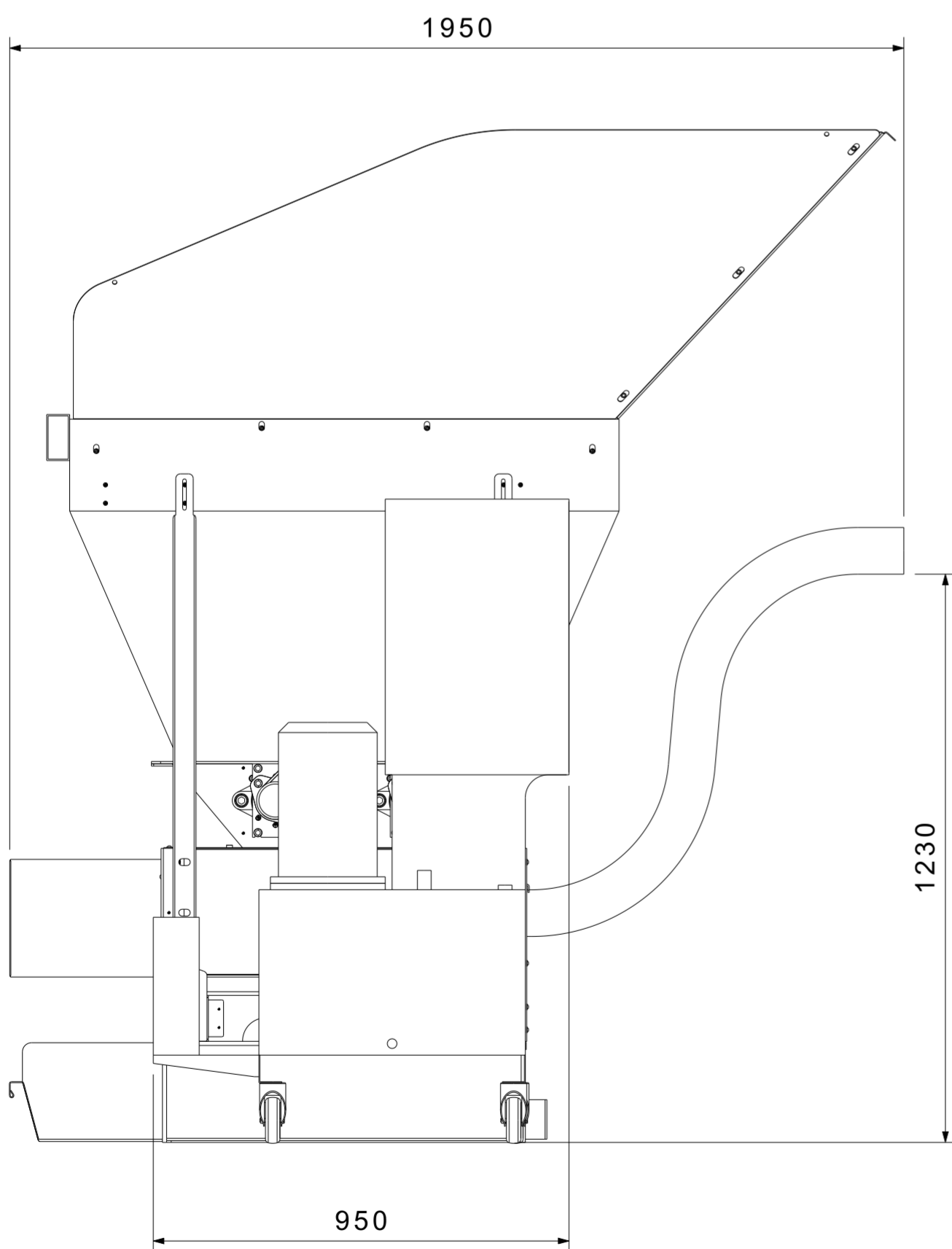
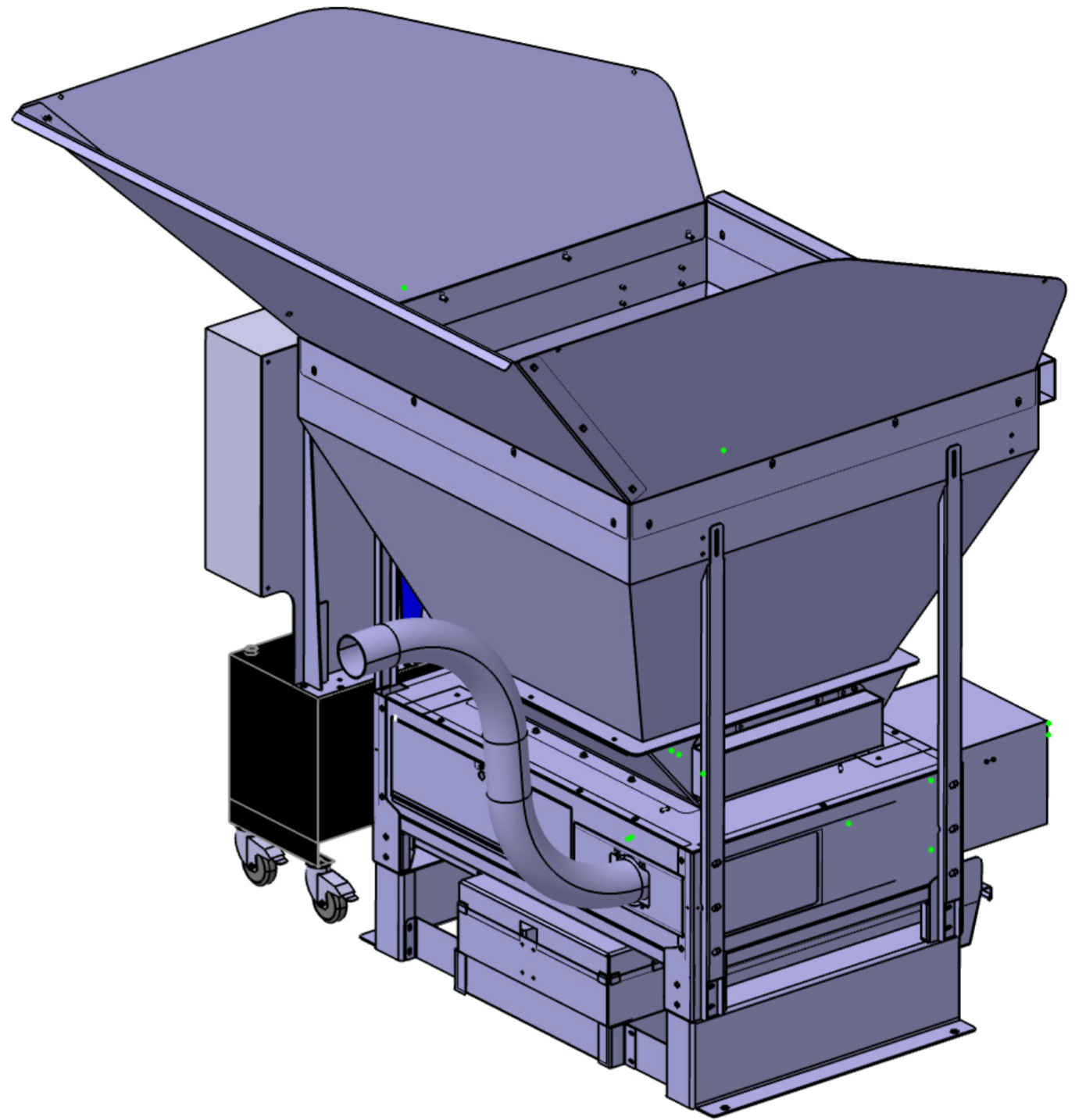
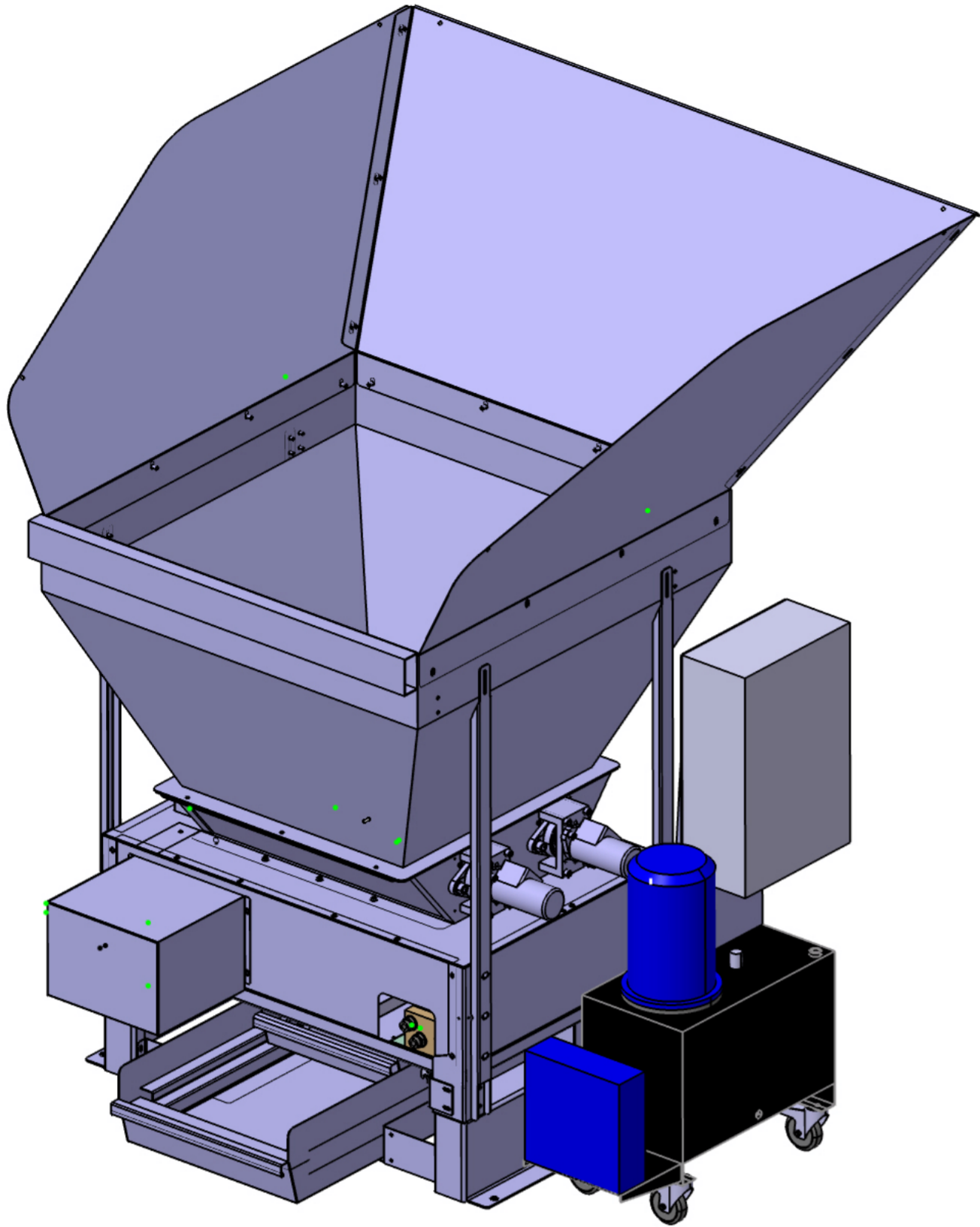


ECOCOMPATT: JEB-2-400M



COD.	dm3 INPUT PRODUCTIVITY	dm3 OUTPUT	TON	KW	kg/h OUTPUT		ØBRICK	dm3 MANUAL LOADING
					STEEL	ALU		
JEB-2-400M	200/400	25/50	47	5.5	45-70/90-140	15-25/30-50	90	500